

COMMERCIAL
REFRIGERATION

CONDENSING UNITS



Tecumseh



Standard, Customisable, Ready to Install
A tailor-made offer

CONDENSING

An offer that meets
all of your requirements



A reputation built over time:

The range offers a multitude of choices to installers. Depending on their dimensional, technical or acoustic requirements, Tecumseh Europe offers a wide power range for each of the condensing unit ranges. The reciprocating compressors are used on all three ranges and the Scroll and Rotary compressors are used on the standard and Silensys ranges.



Traditional units

As a benchmark in terms of fixed or remote installation, this is a wide range of standard units offering adapted capacity with smaller overall dimensions.

SOLUTIONS THAT HAVE OVER THE YEARS PROVEN THEIR WORTH IN THE MARKET IN TERMS OF STRENGTH AND RELIABILITY.

Capacity range as per EN13215 and SH 10K R404A

At -30 °C evap.: from 0.2 to 5.9 kW
At -10 °C evap.: from 0.1 to 17 kW

From +32 °C
to +46 °C

Standard equipment

- Tecumseh compressor 1
- Safety pressure switch (depending on model) 2
- Liquid refrigerant receiver 3
- Electrical box 4
- +32 °C ambient condenser (+46° for some models) 5
- Fan motors compatible with speed variation 6

COMMON STRENGTHS TO ALL OF THE RANGE

- A wide range of application (from -40° to -10°/from - 25° to +15 °C)
- Spare parts available world-wide
- Models are highly customisable (upon request)
- Stable performance, energy efficient
- Protected units (200 h in salt spray)
- The widest range on the market with more than 160 standard models!

MADE IN FRANCE



The proven technology of the reciprocating compressors by Tecumseh. Its reciprocating compressors are well-known on the market for their reliability and their strength. Over the years Tecumseh has built its reputation on the constant improvements made to the products and on their manufacturing quality.



Rotary technology compressors offer high efficiency for small refrigeration applications. This technology allows a significant reduction in energy consumption and a low noise level along with reduced overall dimensions. Perfectly suited to demanding applications, its strength lies in its design.



Scroll technology compressors deliver high levels of efficiency for medium and large refrigeration applications, regardless of the operating conditions. This technology allows a significant reduction in energy consumption. Perfectly suited to demanding applications. Scroll compressors have been designed to be highly resistant to liquid slugging.

UNITS



Housed units

This «plug and play» solution meets all exterior requirements while guaranteeing ease of installation and suitable aesthetics at an optimised price.

A SOLUTION FOR DEMANDING EXTERIOR CONDITIONS.

Capacity range as per EN13215 and SH 10K R404A

At -30 °C evap.: from 0.4 to 1.6 kW

At -10 °C evap.: from 0.7 to 4.4 kW



Standard equipment

- Tecumseh compressor ①
- Electrical equipment ②
- Liquid refrigerant receiver ③
- Liquid refrigerant line (filter drier and sight glass) ④
- +32 °C ambient condenser ⑤
- Mini HP/LP pressure switch
- Fan motors compatible with speed variation ⑥
- + Reinforced plastic cover ⑦
- + External section switch
- + Crankcase heater

PRACTICAL DIFFERENTIATION

- **Economic:** this industrially manufactured range offers an economic solution for external installations.
- **Ergonomic:** all the components are easily accessible to guarantee increased ease of maintenance.



New



Silent housed units

A range of fully equipped units for quick installation and meticulous presentation. This range sets the acoustic standard on the market.

WHEN SILENCE MEETS YOUR HIGHEST REQUIREMENTS.

Capacity range as per EN13215 and SH 10K R404A

At -30 °C evap.: from 0.5 to 6.1 kW

At -10 °C evap.: from 0.7 to 17 kW



Standard equipment

- Tecumseh compressor ①
- Complete electrical equipment ②
- Liquid refrigerant receiver
- Liquid refrigerant line (filter drier and liquid sight glass) ③
- Fan motors compatible with speed variation ④
- + Corrosion-resistant condenser (HTA: 46 °C) ⑤
- + Reinforced cover ⑥
- + Crankcase heater ⑦
- + Adjustable HP/LP pressure switch with automatic reset function.
- + Fan speed control
- + Discharge muffler (on some models) ⑧
- + Separate electrical protection (fan, compressor)
- + Accessible rail DIN ⑩
- + Floor and wall mounting feet ⑪
- + External section switch ⑫

NF Only on the single Rotary and Scroll models

TECHNOLOGICAL ADVANTAGES

- **Acoustics:** the third generation 50% reduction on S/M/L sizes and 75% on the XL size
- **Energy output**
Example of gain between a solution fitted with Rotary, reciprocating compressors and a competitor.



Evaporation temperature	Models	SILRG4512Z	SILAJ9510Z	Competitor model
0 °C	Refrig (w)	1998	1942	1855
	COP	2,2	1,7	1,7
	GAIN	26%	1,20%	-
-10 °C	Refrig (w)	1427	1376	1259
	COP	1,6	1,5	1,4
	GAIN	15%	6,5%	-

Conditions EN13215 - Ambiance +43 °C - 10K S.C. and 3 S.R.
C.O.P.: Coefficient Of Performance



TECHNICAL POINTS



VARIABLE SPEED ON ALL THE FAN MOTORS

Tecumseh Europe offers innovative technology specifically suited to high-efficiency motors (electronic motors, EC) and for all AC fans.



- Simple kits for all our new fan motor ranges
- Reduced noise levels at night and during periods of low consumption.



- Better performance of the evaporator: condensing pressure control to maintain a constant evaporating temperature
- Simplicity of the solution: direct connection between the liquid refrigerant receiver and the fan without electronic interface
- Easy maintenance: easy adjustment of the variation settings (manual)
- Compact design: saves space in your electrical switchboards
- Products validated by Tecumseh Europe for all our fan ranges.

Description

Traditional units

1	2	3	4	5	6	7	8
▼	▼	▼	▼	▼	▼	▼	▼
T	AJ	N	T	4519	Z	H	R



- ▶ No letter = single-phase low torque
C = single-phase high torque
T = three-phase
- ▶ Families: TH-AEZ-AE-AE²-AJ-FH-AG-HGA-RGA-VS
- ▶ N for new compressors or D for DUO assembly
- ▶ T for standard models - HTA + 46 °C or S for single fan
- ▶ Compressor
- ▶ Refrigerants
- ▶ Suction pressure: H (high) - B (L) (low) - M (medium)
- ▶ R for unit with tank

Wintsys®

1	2	3	4	5
▼	▼	▼	▼	▼
WIN	T	4553	Z	TZ



- ▶ WIN for Wintsys® family
- ▶ T for HTA + 46 °C option
- ▶ Compressor
- ▶ Refrigerants
- ▶ Voltage

Silensys®

1	2	3	4	5
▼	▼	▼	▼	▼
SIL	AJ	4476	Z	FZ



- ▶ SIL for Silensys® family
- ▶ Compressor family
- ▶ Compressor
- ▶ Refrigerants
- ▶ Voltage

Description of refrigerants

- Y = Refrigerants R-134a
- Z = Refrigerants R-404A or R-407B or R-507

R-404A

COMMERCIAL POSITIVE REFRIGERATION



TRADITIONAL UNITS

Models	Technology	Rated voltage code I _{max} (A)	Capacity in W EN 13215 Ambient temperature 32 °C Superheating 10K Subcooling 3K Evaporation temperature:					EN 13215 to -10 °C evaporation and 32 °C ambient Suction gas 20 °C		Pressure at 10 m	Pressure at 1 m	Acoustic power	Air flow	Diameter of connection		Other available voltages	Receiver volume	Net / Gross weight		Bases
			-15 °C	-10 °C	-5 °C	0 °C	5 °C	Cooling capacity (W)	Power input (W)					Acoustics dB(A)*	m ³ /h			Suction (inch)	Liquid (inch)	
AE4425ZHR	AE	FZ / 2,6	210	270	340	410	480	301	266	27	47	58	340	3/8	1/4	-	0,75	18 / 19	I	
AET4425ZHR	AE	FZ / 2,6	240	300	370	450	530	332	250	27	47	58	410	3/8	1/4	-	0,75	18 / 19	I	
AE4430ZHR	AE	FZ / 3,6	300	380	460	560	660	423	327	28	48	59	410	3/8	1/4	-	0,75	18 / 18	I	
AET4430ZHR	AE	FZ / 4	310	390	480	580	690	434	330	33	53	64	800	3/8	1/4	-	0,75	23 / 25	IV	
AE4440ZHR	AE	FZ / 4,4	410	510	620	740	870	570	481	33	53	64	800	3/8	1/4	-	0,75	25 / 26	IV	
AET4440ZHR	AE	FZ / 4,4	440	550	670	800	950	607	477	35	55	66	980	3/8	1/4	-	0,75	25 / 27	IV	
AE4450ZHR	AE	FZ / 4,8	510	630	760	920	1090	702	551	38	58	69	980	3/8	1/4	-	0,75	25 / 27	IV	
AET4450ZHR	AE	FZ / 4,8	540	670	820	990	1190	745	477	38	58	69	1130	3/8	1/4	-	0,75	27 / 30	V	
AE4460ZHR	AE	FZ / 4,7	610	740	890	1050	1220	835	584	38	58	69	980	3/8	1/4	-	0,75	26 / 28	IV	
AET4460ZHR	AE	FZ / 4,7	660	810	990	1180	1400	909	573	38	58	69	1130	3/8	1/4	-	0,75	27 / 29	V	
HGA4467ZHR	HGA	FZ / 4	720	870	1030	1220	1440	973	506	38	58	69	1000	3/8	1/4	-	0,75	21 / 29	II	
AE4470ZHR	AE	FZ / 6,4	780	950	1140	1350	1580	1067	705	38	58	69	1130	3/8	1/4	-	0,75	27 / 30	V	
AET4470ZHR	AE	FZ / 6,4	800	980	1190	1420	1670	1102	699	37	57	68	980	3/8	1/4	-	0,75	28 / 30	V	
HGA4480ZHR	HGA	FZ / 5,7	870	1050	1250	1470	1720	1178	585	35	55	66	1000	3/8	3/8	-	0,75	24 / 32	III	
CAJN9480ZMHR	CAJN	FZ / 6,9	870	1070	1290	1520	1780	1209	719	35	55	66	900	1/2	3/8	TZ	1,5	35 / 37	V	
CAJT9480ZMHR	CAJT	FZ / 7,3	940	1150	1400	1680	1970	1292	752	38	58	69	980	1/2	3/8	TZ	1,5	39 / 42	V	
HGA4492ZHR	HGA	FZ / 5,5	980	1170	1390	1630	1900	1323	648	38	58	69	1000	1/2	3/8	-	0,75	25 / 33	III	
CAJN9510ZMHR	CAJN	FZ / 8,2	1050	1280	1540	1820	2140	1452	881	34	55	66	900	5/8	3/8	TZ	1,5	36 / 39	V	
HGA4512ZHR	HGA	FZ / 7,1	1160	1380	1610	1860	2130	1561	852	39	59	70	1000	1/2	3/8	-	0,75	26 / 34	III	
CAJT9510ZMHR	CAJT	FZ / 8,6	1180	1450	1730	2050	2400	1623	897	39	59	70	1180	5/8	3/8	TZ	1,5	42 / 45	VI	
CAJN9513ZMHR	CAJN	FZ / 10,4	1220	1500	1810	2150	2490	1704	1035	34	55	65	900	5/8	3/8	TZ	1,5	32 / 35	V	
CAJT9513ZMHR	CAJT	FZ / 10,9	1440	1800	2200	2640	3150	2018	1089	45	65	76	2250	5/8	3/8	TZ	1,5	47 / 50	VI	
CAJN4517ZHR	CAJN	FZ / 13,2	1610	1990	2410	2890	3410	2235	1232	40	60	71	1700	5/8	3/8	TZ	2,35	45 / 48	VI	
CAJT4517ZHR	CAJT	FZ / 11,3	1620	2020	2470	2970	3510	2272	1293	45	65	76	2250	5/8	3/8	TZ	2,35	49 / 52	VI	
TFH4522ZHR	TFH	TZ / 9,6	1860	2330	2860	3410	3950	2644	1649	46	66	77	2250	5/8	3/8	-	3,9	58 / 61	VI	
VSAT9510ZHR	VSAT	TZ / 5,4	1940	2380	2900	3510	4220	2637	1494	46	66	77	3070	3/4	3/8	XC	2,35	81 / 84	VII	
CAJN4519ZHR	CAJN	FZ / 15,7	1990	2440	2940	3470	4090	2765	1669	41	61	71	1700	5/8	3/8	TZ	2,35	41 / 44	VI	
TFH4524ZHR	TFH	TZ / 6,7	2120	2650	3230	3860	4540	3009	1859	47	67	77	2480	5/8	3/8	FZ / KZ	3,9	59 / 62	VI	
CAJT4519ZHR	CAJT	FZ / 16	2210	2740	3310	3950	4670	3064	1734	51	71	82	3540	5/8	3/8	TZ	2,35	59 / 62	VII	
TFHT4524ZHR	TFHT	TZ / 6,9	2210	2820	3500	4250	5090	3160	1856	50	70	81	3070	5/8	1/2	FZ	2,35	76 / 79	VII	
VSAT9514ZHR	VSAT	TZ / 6,8	2460	3020	3660	4400	5230	3369	2106	46	66	77	3070	3/4	3/8	XC	2,35	81 / 84	VII	
TFHS4531ZHR	TFHS	TZ / 6,3	2960	3670	4410	5200	6050	4152	2388	48	68	79	3540	7/8	1/2	KZ	3,9	73 / 76	VII	
TFH4531ZHR	TFH	TZ / 9,0	3000	3840	4720	5600	6570	4334	2417	46	66	77	4800	7/8	1/2	KZ	6	97 / 117	VIII	

* Presentation of the acoustic values in maximum ventilation speed in free field according to the reference point of standard EN13215. We comply with the acoustic standard EN ISO 3743-1. The refrigeration performances are given for information purposes and may change, without prior notice, with improvements that Tecumseh Europe is always making to its products.

R-404A

COMMERCIAL POSITIVE REFRIGERATION



TRADITIONAL UNITS

Models	Technology	Rated voltage code I _{max} (A)	Capacity in W EN 13215 Ambient temperature 32 °C Superheating 10K Subcooling 3K Evaporation temperature:					EN 13215 to -10 °C evaporation and 32 °C ambient Suction gas 20 °C		Pressure at 10 m	Pressure at 1 m	Acoustic power	Air flow	Diameter of connection		Other available voltages	Receiver volume	Net / Gross weight	Bases
			-15 °C	-10 °C	-5 °C	0 °C	5 °C	Cooling capacity (W)	Power input (W)					Acoustics dB(A)*	m³/h				
VSAT9517ZHR		XG / 8,2	3290	3950	4710	5570	6560	4426	2334	45	65	77	4800	3/4	1/2	XC	6	95 / 98	VIII
TFHT4531ZHR		TZ / 9,1	3290	4140	5050	6050	7130	4644	2384	46	66	77	4800	7/8	1/2	FZ	6	97 / 117	VIII
TFHS4540ZHR		TZ / 8,4	3510	4340	5220	6160	7180	4927	2979	50	70	81	3070	7/8	1/2	-	3,9	77 / 80	VII
TFH4540ZHR		TZ / 10	3920	4850	5880	7020	8280	5477	3103	52	72	83	4800	7/8	1/2	FZ / KZ	6	100 / 120	VIII
VSAT9521ZHR		XG / 10,4	3970	4840	5840	6980	8270	5408	2708	50	70	81	7000	3/4	1/2	XC	6	105 / 125	IX
TAGS4546ZHR		TZ / 14,1	4000	5210	6520	7970	9560	5855	3283	54	74	85	5590	7/8	5/8	-	6	116 / 146	-
TFHT4540ZHR		TZ / 10,4	4060	5010	6070	7260	8590	5624	2939	50	70	81	6600	7/8	1/2	FZ	6	119 / 139	IX
VSAT9524ZHR		XG / 10,8	4260	5190	6250	7480	8890	5798	2981	53	73	84	7000	3/4	5/8	-	6	106 / 126	IX
TAG4546ZHR		TZ / 12,3	4310	5530	6840	8300	9910	6208	3319	55	75	86	7000	7/8	5/8	-	6	120 / 155	IX
TAGT4546ZHR		TZ / 12,5	4570	5830	7270	8910	10780	6530	3172	53	73	84	6000	7/8	5/8	-	6	120 / 155	IX
TAG4553ZHR		TZ / 14,5	4700	5960	7370	8890	10560	6725	3750	55	75	86	7000	7/8	5/8	KZ	6	115 / 150	IX
TAGT4553ZHR		TZ / 13,1	4870	6250	7770	9450	11310	7015	3506	53	73	84	6000	7/8	5/8	-	6	119 / 154	IX
VSAT9528ZHR		XG / 14,1	5390	6540	7850	9320	10960	7296	3515	53	73	84	6000	7/8	5/8	-	9,5	128 / 148	IX
TAGS4561ZHR		TZ / 16,1	5440	6800	8390	10180	12170	7663	4162	54	74	85	6190	1"1/8	5/8	-	9,5	123 / 153	-
TAGT4561ZHR		TZ / 15,1	5460	6990	8690	10580	12700	7849	3894	53	73	84	6000	1"1/8	5/8	-	9,5	126 / 161	IX
TAGS4568ZHR		TZ / 17,1	6000	7640	9380	10990	12580	8603	4618	54	74	85	6250	1"1/8	5/8	KZ	9,5	119 / 149	-
TAG4568ZHR		TZ / 16,3	6480	8090	9910	11850	13840	9125	4581	53	73	84	6000	1"1/8	5/8	KZ	9,5	133 / 168	IX
TAGT4568ZHR		TZ / 16,3	6310	8300	10400	12640	15050	9314	4610	53	73	84	6500	1"1/8	5/8	-	9,5	129 / 164	IX
VSAT9536ZHR		XG / 16,8	6660	7970	9450	11090	12920	8936	4423	53	73	84	6000	7/8	5/8	-	9,5	133 / 153	IX
TAGS4573ZHR		TZ / 21,0	6660	8290	10020	11950	14240	9361	5057	52	72	83	6250	1"1/8	5/8	-	9,5	108 / 138	-
TAG4573ZHR		TZ / 33,0	6890	8500	10310	12330	14590	9609	5073	52	72	83	6000	1"1/8	5/8	KZ	9,5	132 / 167	IX
TAGT4573ZHR		TZ / 19,1	6990	8810	10840	13100	15630	9901	4910	52	72	83	6500	1"1/8	5/8	-	9,5	127 / 162	IX
VSAT9544ZHR		XG / 20,9	7980	9540	11260	13130	15150	10748	5714	53	73	84	6000	7/8	5/8	-	9,5	137 / 157	IX
TAGD4590ZHR		TZ / 24,0	8190	10350	12680	15210	17970	11722	6413	55	75	86	11500	1"1/8	3/4	-	11,5	208 / 243	X
TAGDT4590ZHR		TZ / 24,0	8480	10780	13280	16000	18980	12142	6335	56	76	87	10500	1"1/8	3/4	-	11,5	215 / 250	X
TAGD4610ZHR		TZ / 28,0	8950	11380	14050	16990	20270	12828	6665	55	75	86	11000	1"1/8	3/4	-	11,5	213 / 248	X
TAGDT4610ZHR		TZ / 25,2	9250	11990	14950	18140	21640	13493	6635	56	76	87	10500	1"1/8	3/4	-	11,5	215 / 250	X
TAGD4612ZHR		TZ / 29,0	10970	13630	16490	19580	22950	15441	8444	55	75	86	11000	1"3/8	7/8	-	11,5	218 / 253	X
TAGDT4612ZHR		TZ / 29,2	11370	14260	17410	20860	24650	16056	8326	56	76	87	9450	1"3/8	7/8	-	11,5	220 / 255	X
TAGD4614ZHR		TZ / 32,0	12830	16090	19410	22820	26380	18242	9528	55	75	86	10500	1"3/8	7/8	-	11,5	228 / 263	X
TAGDT4614ZHR		TZ / 32,0	13440	16420	19820	23690	28100	18526	9435	57	77	88	9450	1"3/8	7/8	-	11,5	225 / 260	X
TAGD4615ZHR		TZ / 39,0	14460	17090	20270	24030	28480	19353	9828	57	71	88	9450	1"3/8	7/8	-	11,5	235 / 270	X

* Presentation of the acoustic values in maximum ventilation speed in free field according to the reference point of standard EN13215. We comply with the acoustic standard EN ISO 3743-1. The refrigeration performances are given for information purposes and may change, without prior notice, with improvements that Tecumseh Europe is always making to its products.

R-404A

COMMERCIAL POSITIVE REFRIGERATION



WINTSYS®



Models	Technology	Rated voltage code I _{max} (A)	Capacity in W EN 13215 Ambient temperature 32 °C Superheating 10K Subcooling 3K Evaporation temperature:					EN 13215 to -10°C evaporation and 32 °C ambient Suction gas 20 °C		Pressure at 10 m	Pressure at 1 m	Acoustic power	Air flow	Diameter of connection		Other available voltages	Receiver volume	Net / Gross weight	Panels
			-15 °C	-10 °C	-5 °C	0 °C	5 °C	Cooling capacity (W)	Power input (W)					Acoustics dB(A)*	m ³ /h				
WIN9450Z		FZ / 4,5	600	750	920	1120	1350	829	447	31	51	62	900	3/8	1/4	-	0,75	48 / 51	1
WIN9460Z		FZ / 4,7	700	870	1070	1290	1540	969	525	30	50	61	900	3/8	1/4	-	0,75	59 / 62	1
WIN9470Z		FZ / 6,4	810	1000	1210	1460	1730	1116	624	31	51	62	900	3/8	1/4	-	0,75	49 / 52	1
WIN9480Z		FZ / 6,9	850	1050	1270	1520	1790	1182	719	33	53	64	900	1/2	3/8	TZ	1,5	57 / 60	1
WIN9510Z		FZ / 8,2	1020	1250	1500	1780	2080	1419	881	33	53	64	900	5/8	3/8	TZ	1,5	56 / 59	1
WIN9513Z		FZ / 10,4	1180	1450	1740	2030	2350	1658	1035	34	54	65	900	5/8	3/8	TZ	1,5	56 / 59	1
WIN4517Z		FZ / 13,2	1570	1940	2350	2820	3320	2182	1243	40	60	71	1700	5/8	3/8	TZ	2,35	72 / 75	2
WIN4519Z		FZ / 15,7	1940	2370	2830	3320	3850	2684	1604	40	60	71	1700	5/8	3/8	TZ	2,35	74 / 77	2
WIN4524Z		TZ / 7,7	2030	2550	3110	3720	4400	2903	1845	43	63	74	1700	5/8	3/8	FZ	2,35	84 / 87	2
WIN4531Z		TZ / 8,8	2940	3720	4560	5450	6410	4133	2319	48	68	79	3000	7/8	1/2	FZ	3,9	94 / 97	3
WIN4540Z		TZ / 10	3600	4400	5270	6220	7260	5011	3091	51	71	82	3000	7/8	1/2	FZ	3,9	99 / 102	3

* Presentation of the acoustic values in maximum ventilation speed in free field according to the reference point of standard EN13215. We comply with the acoustic standard EN ISO 3743-1. The refrigeration performances are given for information purposes and may change, without prior notice, with improvements that Tecumseh Europe is always making to its products.

Options/Kits

Traditional units

- High temperature compressor (except for AJN and HGA)
- Variable speed Kits for the fan
- Condensing unit without receiver
- Specific connection



Wintsys®

- Automatic HP and LP pressure switch kit
- Fan speed control kit
- Pump Down kit (non-fitted solenoid valve + LP pressure switch)
- Fuse plug



Voltage codes

Previous code letter	New code letter	Description
F	FZ	220-240V-50Hz
K	KZ	220V 3-50Hz 220V 3-60Hz
T	TZ	400V 3-50Hz 440V 3-60Hz
A	XA	100V 1-50Hz 115V 1-60Hz
G	GZ	208-220V 1-60Hz

R-404A

COMMERCIAL POSITIVE REFRIGERATION



SILENSYS®



Models	Technology	Rated voltage code I _{max} (A)	Capacity in W EN 13215 Ambient temperature 32 °C Superheating 10K Subcooling 3K Evaporation temperature:					EN 13215 to -10 °C evaporation and 32 °C ambient Suction gas 20 °C		Pressure at 10 m	Pressure at 1 m	Acoustic power	Air flow	Diameter of connection		Other available voltages	Receiver volume	Net / Gross weight	Panels
			-15 °C	-10 °C	-5 °C	0 °C	5 °C	Cooling capacity (W)	Power input (W)					Acoustics dB(A)*	m³/h				
SILAE9450Z		FZ / 4,4	600	760	950	1180	1450	843	469	30	50	61	1650	3/8	1/4	-	0,75	59 / 79	S
SILAE9460Z		FZ / 6	710	890	1100	1350	1640	987	627	30	50	61	1650	3/8	1/4	-	0,75	59 / 79	S
SILRG4467Z		FZ / 5	720	900	1110	1350	1620	999	482	29	49	60	1650	3/8	1/4	-	1,5	59 / 80	S
SILRG4480Z		FZ / 5,8	880	1090	1340	1620	1960	1214	581	30	50	61	1650	3/8	1/4	-	1,5	59 / 80	S
SILRG4492Z		FZ / 6,4	980	1210	1480	1780	2140	1349	627	29	49	60	1650	1/2	1/4	-	1,5	60 / 80	S
SILAJ9480Z		FZ / 7,2	1000	1250	1540	1870	2240	1391	724	29	49	60	1650	1/2	3/8	KZ/TZ	1,5	68 / 88	S
SILAJ9510Z		FZ / 8,5	1230	1530	1870	2260	2700	1704	879	29	49	60	1650	5/8	3/8	KZ/TZ	1,5	69 / 89	S
SILRG4512Z		FZ / 7,2	1270	1560	1880	2260	2690	1736	794	29	49	60	1650	1/2	3/8	-	1,5	62 / 83	S
SILAJ9513Z		FZ / 10,7	1500	1870	2290	2780	3330	2087	1022	31	51	62	1650	5/8	3/8	KZ/TZ	1,5	71 / 91	S
SILAJ4517Z		FZ / 13,8	1660	2080	2550	3080	3680	2326	1265	36	56	67	2700	5/8	3/8	KZ/TZ	2,35	70 / 92	M
SILVS9510Z		XG / 5,7	1860	2260	2730	3270	3900	2540	1478	36	56	67	2700	3/4	3/8	XC	2,35	84 / 106	M
SILAJ4519Z		FZ / 16,3	2170	2700	3300	3980	4750	3030	1676	38	58	69	2700	5/8	3/8	KZ/TZ	2,35	71 / 93	M
SILFH4524Z		TZ / 8,8	2360	3020	3750	4570	5490	3388	1836	37	57	68	2700	5/8	3/8	FZ	2,35	83 / 106	M
SILVS9514Z		XG / 7,1	2470	3040	3690	4440	5290	3416	2020	36	56	67	2700	3/4	3/8	XC	2,35	85 / 107	M
SILFH4531Z		TZ / 10,1	3060	3850	4710	5630	6690	4338	2240	41	61	72	2700	7/8	5/8	FZ	3,9	87 / 109	M
SILVS9517Z		XG / 7,7	3370	4080	4900	5830	6880	4590	2128	37	57	68	2700	7/8	1/2	XC	3,9	86 / 108	M
SILFH4540Z		TZ / 10,3	3630	4480	5410	6440	7520	5090	3016	40	60	71	2700	7/8	1/2	FZ	3,9	87 / 109	M
SILVS9521Z		XG / 9,9	3960	4800	5740	6760	7870	5407	2515	37	57	68	2700	7/8	1/2	XC	3,9	86 / 108	M

* Presentation of the acoustic values in maximum ventilation speed in free field according to the reference point of standard EN13215. We comply with the acoustic standard EN ISO 3743-1
The refrigeration performances are given for information purposes and may change, without prior notice, with improvements that Tecumseh Europe is always making to its products.
The Silensys are dimensioned for operation at 46 °C ambient with the exception of the six largest models of the XL panels +43 °C max.

Options/Kits

Silensys®

- Fuse plug
- Sight glass on liquid receiver
- HP/LP pressure switch with manual reset function



Voltage codes

Previous code letter	New code letter	Description
F	FZ	220-240V-50Hz
K	KZ	220V 3-50Hz 220V 3-60Hz
T	TZ	400V 3-50Hz 440V 3-60Hz
A	XA	100V 1-50Hz 115V 1-60Hz
G	GZ	208-220V 1-60Hz

R-404A

COMMERCIAL POSITIVE REFRIGERATION



SILENSYS®



Models	Technology	Rated voltage code I _{max} (A)	Capacity in W EN 13215 Ambient temperature 32 °C Superheating 10K Subcooling 3K Evaporation temperature:					EN 13215 to -10 °C evaporation and 32 °C ambient Suction gas 20 °C		Pressure at 10 m	Pressure at 1 m	Acoustic power	Air flow	Diameter of connection		Other available voltages	Receiver volume	Net / Gross weight	Panels
			-15 °C	-10 °C	-5 °C	0 °C	5 °C	Cooling capacity (W)	Power input (W)					Acoustics dB(A)*	m ³ /h				
SILV9524Z		XG / 11,4	4220	5140	6200	7410	8810	5798	2881	40	60	71	5400	7/8	5/8	-	6	127 / 142	L
SILAG4546Z		TZ / 12,5	4250	5440	6770	8260	9890	6108	3166	37	57	68	5400	7/8	5/8	KZ	6	128 / 143	L
SILAG4553Z		TZ / 14,5	5020	6390	7930	9650	11560	7166	3546	37	57	68	5400	7/8	5/8	KZ	6	134 / 149	L
SILV9528Z		XG / 13,9	5340	6480	7780	9230	10870	7296	3415	40	60	71	5400	7/8	5/8	-	6	143 / 158	L
SILAG4561Z		TZ / 15,1	5500	6900	8470	10200	12110	7783	4011	37	57	68	5400	1 1/8	5/8	KZ	6	134 / 149	L
SILV9536Z		XG / 17,4	6590	7900	9360	10990	12810	8936	4323	40	60	71	5400	7/8	5/8	-	6	146 / 161	L
SILAG4568Z		TZ / 16,3	6620	8190	9990	12020	14060	9209	4404	43	63	74	5400	1 1/8	5/8	KZ	6	138 / 153	L
SILAG4573Z		TZ / 19,1	7040	8690	10540	12570	14810	9795	4886	43	63	74	5400	1 1/8	5/8	KZ	9,5	139 / 154	L
SILVSD9548Z		XG / 20,8	7590	9240	11150	13340	15850	11596	5762	46	66	77	6600	1 1/8	5/8	-	9,5	256 / 283	L
SILAGD4590Z		TZ / 26,2	7640	9780	12180	14860	17810	10995	6330	44	64	75	6600	1 1/8	5/8	KZ	9,5	274 / 301	XL
SILV9544Z		XG / 21,5	7900	9450	11160	13010	15010	10748	5614	40	60	71	5400	7/8	5/8	-	6	150 / 165	L
SILAGD4610Z		TZ / 29,2	9400	11970	14810	17910	21220	12900	7090	44	64	75	6600	1 3/8	7/8	KZ	9,5	275 / 302	XL
SILAGD4612Z		TZ / 30,4	9900	12420	15250	18360	21790	14000	8020	44	64	75	6600	1 3/8	7/8	KZ	9,5	277 / 304	XL
SILVSD9556Z		XG / 25,8	10400	12510	14840	17370	20110	14115	6769	46	66	77	6600	1 1/8	5/8	-	9,5	288 / 315	XL
SILVSD9572Z		XG / 32,8	11870	14210	16840	19770	23050	16085	8646	46	66	77	6600	1 1/8	7/8	-	11,5	294 / 321	XL
SILAGD4614Z		TZ / 32,8	11910	14730	17980	21630	25300	15570	8800	44	64	75	6600	1 3/8	7/8	KZ	9,5	280 / 307	XL
SILAGD4615Z		TZ / 38,4	12350	15160	18250	21640	25700	17630	9770	44	64	75	6600	1 3/8	7/8	KZ	9,5	280 / 307	XL
SILVSD9588Z		XG / 41	14220	17010	20080	23410	27020	19346	11228	46	66	77	6600	1 1/8	7/8	-	11,5	302 / 329	XL

* Presentation of the acoustic values in maximum ventilation speed in free field according to the reference point of standard EN13215. We comply with the acoustic standard EN ISO 3743-1. The refrigeration performances are given for information purposes and may change, without prior notice, with improvements that Tecumseh Europe is always making to its products. The Silensys are dimensioned for operation at 46 °C ambient with the exception of the six largest models of the XL panels +43 °C max.

Installation

Silensys®

Feet for wall or floor mounting
(on S and M models)



R-404A

COMMERCIAL NEGATIVE REFRIGERATION



TRADITIONAL UNITS

Models	Technology	Rated voltage code Imax (A)	Capacity in W EN 13215 Ambient temperature 32 °C Superheating 10K Subcooling 3K Evaporation temperature:					EN 13215 to -35 °C evaporation and 32 °C ambient Suction gas 20 °C		Pressure at 10 m	Pressure at 1 m	Acoustic power	Air flow	Diameter of connection		Other available voltages	Receiver volume	Net / Gross weight	Bases
			-30 °C	-25 °C	-20 °C	-15 °C	-10 °C	Cooling capacity (W)	Power input (W)					Acoustics dB(A)*	m³/h				
AE2410ZBR	AE	FZ / 3,8	180	230	290	350	420	167	216	27	47	58	340	3/8	1/4	-	0,75	25 / 25	I
AE2415ZBR	AE	FZ / 3,7	210	270	330	390	470	194	244	27	47	58	340	3/8	1/4	-	0,75	19 / 20	I
AET2415ZBR	AE	FZ / 3,6	280	360	450	550	650	258	274	28	48	59	410	3/8	1/4	-	0,75	18 / 21	IV
AE2420ZBR	AE	FZ / 4,6	310	390	480	580	680	279	402	28	48	59	410	3/8	1/4	-	0,75	22 / 23	I
CAJN2428ZBR	AE	FZ / 5,2	340	440	560	680	820	314	384	26	46	57	550	1/2	1/4	TZ	1,5	31 / 33	IV
AET2420ZBR	AE	FZ / 5,0	350	440	550	670	790	315	348	38	58	69	980	3/8	1/4	-	0,75	26 / 27	IV
HGA2426ZBR	AE	FZ / 3,8	382	480	590	720	870	375	352	37	57	68	1000	3/8	1/4	-	0,75	20 / 28	II
CAJN2432ZBR	AE	FZ / 5,6	400	520	660	810	970	380	432	28	48	59	550	1/2	1/4	-	1,5	31 / 33	IV
CAJT2428ZBR	AE	FZ / 5,7	400	530	690	850	1050	359	446	38	58	69	1130	1/2	1/4	-	1,5	34 / 37	V
AE2425ZBR	AE	FZ / 5,3	410	510	620	740	870	384	480	33	53	64	800	3/8	1/4	-	0,75	27 / 29	IV
AET2425ZBR	AE	FZ / 5,3	440	560	700	870	1070	414	395	38	58	69	1130	3/8	1/4	-	0,75	25 / 27	V
CAJN2440ZBR	AE	FZ / 5,8	460	590	720	870	1030	439	513	30	50	61	550	1/2	1/4	-	1,5	31 / 33	IV
HGA2432ZBR	AE	FZ / 4,6	463	580	700	840	1000	462	422	35	55	66	1000	3/8	1/4	-	0,75	21 / 29	II
HGA2436ZBR	AE	FZ / 5,4	489	610	750	900	1070	484	449	39	59	70	1000	1/2	1/4	-	0,75	21 / 29	II
CAJT2432ZBR	AE	FZ / 6,8	490	650	830	1030	1260	442	492	39	59	70	1130	1/2	1/4	-	1,5	38 / 41	V
HGA2446ZBR	AE	FZ / 5,8	630	790	970	1170	1400	623	560	38	58	69	1000	1/2	3/8	-	0,75	26 / 34	III
CAJN2446ZBR	AE	FZ / 8,1	700	900	1120	1350	1610	664	632	34	54	65	900	1/2	3/8	TZ	2,35	36 / 39	V
CAJT2446ZBR	AE	FZ / 8,1	750	950	1180	1440	1710	700	688	40	60	71	980	1/2	3/8	-	1,5	36 / 39	V
CAJN2464ZBR	AE	FZ / 10,2	860	1080	1320	1580	1850	838	873	32	52	63	900	5/8	3/8	TZ	2,35	36 / 39	V
CAJT2464ZBR	AE	FZ / 10,5	970	1240	1560	1910	2300	907	1042	45	65	76	2250	5/8	3/8	-	1,5	48 / 51	VI
TFH2480ZBR	AE	TZ / 5,2	1260	1600	1980	2370	2810	1174	1064	45	65	76	2200	5/8	3/8	FZ	2,35	59 / 62	VI
TFHT2480ZBR	AE	TZ / 4,4	1460	1880	2310	2770	3260	1331	1051	44	64	75	2250	5/8	3/8	FZ	2,35	60 / 63	VI
TFH2511ZBR	AE	TZ / 5,4	1620	2100	2630	3220	3870	1519	1486	48	68	79	2250	5/8	3/8	FZ	2,35	60 / 63	VI
TFHT2511ZBR	AE	TZ / 5,9	1840	2410	3040	3750	4530	1675	1377	47	67	78	4800	5/8	3/8	FZ	6	101 / 121	VIII
TAG2516ZBR	AE	TZ / 11,3	2420	3130	3920	4790	5750	2235	2105	48	68	80	4800	7/8	3/8	-	6	103 / 123	VIII
TAGT2516ZBR	AE	TZ / 10,7	2540	3310	4160	5110	6170	2330	2098	47	67	78	4800	7/8	3/8	-	6	109 / 129	VIII
TFHD2516ZBR	AE	TZ / 7,2	2570	3290	4070	4900	5800	2374	1971	46	66	77	4800	1"1/8	3/8	-	6	131 / 151	VIII
TAG2522ZBR	AE	TZ / 8,5	3040	3890	4820	5850	6970	2869	2581	49	69	80	4800	1"1/8	3/8	-	6	106 / 126	VIII
TFHD2522ZBR	AE	TZ / 9,2	3200	4190	5270	6440	7730	2881	2440	50	70	81	4800	1"1/8	3/8	-	6	138 / 158	VIII
TAGT2522ZBR	AE	TZ / 15,1	3270	4270	5370	6560	7860	2950	2463	50	70	81	6600	1"1/8	3/8	-	6	126 / 146	IX
TAGD2532ZBR	AE	TZ / 20,8	4610	6080	7740	9610	11710	4171	3951	51	71	82	8200	1"1/8	5/8	-	9,5	210 / 245	X
TAGDT2532ZBR	AE	TZ / 20,8	5100	6690	8510	10560	12860	4619	4200	51	71	82	11500	1"1/8	3/4	-	11,5	210 / 245	X
TAGD2544ZBR	AE	TZ / 29,2	5850	7490	9300	11310	13510	5467	4871	52	72	83	8200	1"1/8	5/8	-	9,5	215 / 250	X
TAGDT2544ZBR	AE	TZ / 29,2	5990	7760	9770	12040	14590	5568	5077	52	72	83	11000	1"1/8	3/4	-	11,5	215 / 250	X

* Presentation of the acoustic values in maximum ventilation speed in free field according to the reference point of standard EN13215. We comply with the acoustic standard EN ISO 3743-1. The refrigeration performances are given for information purposes and may change, without prior notice, with improvements that Tecumseh Europe is always making to its products.

R-404A

COMMERCIAL NEGATIVE REFRIGERATION



WINTSYS®



SILENSYS®

Models	Technology	Rated voltage code Imax (A)	Capacity in W EN 13215 Ambient temperature 32 °C Superheating 10K Subcooling 3K Evaporation temperature:					EN 13215 to -35 °C evaporation and 32 °C ambient Suction gas 20 °C		Pressure at 10 m	Pressure at 1 m	Acoustic power	Air flow rate	Diameter of connection		Other available voltages	Receiver volume	Net / Gross weight		Panels
			-30 °C	-25 °C	-20 °C	-15 °C	-10 °C	Cooling capacity (W)	Power input (W)					Acoustics dB(A)*	m³/h			Suction (inch)	Liquid (inch)	
WIN2428Z		FZ / 5,1	390	520	670	850	1050	349	401	29	49	60	900	1/2	1/4	TZ	0,75	54 / 39	1	
WIN2424Z		FZ / 4,7	400	530	680	850	1050	365	417	29	49	60	900	3/8	1/4	-	1,5	49 / 39	1	
WIN2432Z		FZ / 5,5	460	620	790	990	1210	415	458	30	50	61	900	1/2	1/4	-	1,5	56 / 39	1	
WIN2440Z		FZ / 5,7	550	720	920	1130	1370	502	541	31	51	62	900	1/2	1/4	-	1,5	57 / 40	1	
WIN2446Z		FZ / 7,9	680	880	1090	1320	1560	646	632	33	53	64	900	1/2	3/8	TZ	1,5	58 / 41	1	
WIN2464Z		FZ / 10	830	1050	1280	1530	1800	817	873	33	53	64	900	5/8	3/8	TZ	1,5	59 / 42	1	
WIN2480Z		FZ / 16	1270	1640	2040	2480	2950	1160	1318	40	60	71	1700	5/8	3/8	TZ	2,35	87 / 67	2	
WIN2511Z		FZ / 24	1590	2060	2570	3120	3700	1484	1592	46	66	77	1700	5/8	3/8	TZ	2,35	87 / 68	2	
SILRG2426Z		FZ / 3,9	390	500	630	780	950	380	325	30	50	61	1650	3/8	1/4	-	1,5	78 / 58	S	
SILAJ2432Z		FZ / 6,8	520	700	910	1160	1450	459	483	27	47	58	1650	1/2	1/4	TZ	1,5	87 / 67	S	
SILRG2432Z		FZ / 4,7	470	590	740	900	1100	470	392	28	48	59	1650	3/8	1/4	-	1,5	79 / 59	S	
SILRG2436Z		FZ / 5,5	510	650	800	970	1170	490	400	32	52	63	1650	1/2	1/4	-	1,5	59 / 79	S	
SILAJ2440Z		FZ / 6,2	590	770	1000	1250	1550	531	564	28	48	59	1650	1/2	1/4	-	1,5	88 / 68	S	
SILRG2446Z		FZ / 5,9	650	830	1020	1240	1490	630	450	33	53	64	1650	1/2	3/8	-	1,5	59 / 79	S	
SILAJ2446Z		FZ / 8,4	770	990	1260	1570	1920	711	667	29	49	60	1650	1/2	3/8	TZ / KZ	1,5	89 / 69	S	
SILAJ2464Z		FZ / 10,5	1030	1330	1670	2060	2490	956	880	30	50	61	1650	5/8	3/8	TZ / KZ	1,5	92 / 72	S	
SILFH2480Z		TZ / 5,9	1420	1830	2300	2800	3340	1306	1227	36	56	67	2700	5/8	3/8	FZ / KZ	2,35	106 / 84	M	
SILFH2511Z		TZ / 6,1	1850	2440	3130	3910	4800	1684	1500	39	59	70	2700	5/8	3/8	FZ / KZ	2,35	108 / 86	M	
SILAG2516Z		TZ / 12	2720	3640	4690	5900	7270	2410	2335	38	58	69	5400	7/8	3/8	KZ	6	144 / 129	L	
SILAG2522Z		TZ / 14,7	3250	4250	5380	6650	8090	2986	2625	39	59	70	5400	7/8	3/8	KZ	6	146 / 131	L	
SILAGD2532Z		TZ / 21,8	5110	6840	8810	11090	13660	4530	4370	43	63	74	6600	1"1/8	5/8	-	9,5	262 / 243	XL	
SILAGD2544Z		TZ / 27,2	6110	7990	10110	12500	15200	5700	5250	44	64	75	6600	1"1/8	5/8	-	9,5	259 / 278	XL	

* Presentation of the acoustic values in maximum ventilation speed in free field according to the reference point of standard EN13215. We comply with the acoustic standard EN ISO 3743-1. The refrigeration performances are given for information purposes and may change, without prior notice, with improvements that Tecumseh Europe is always making to its products.

Options/Kits

Wintsys®

- Automatic HP and LP pressure switch kit
- Fan speed control kit
- Pump Down kit (non-fitted solenoid valve + LP pressure switch)
- Fuse plug

Silensys®

- Fuse plug
- Sight glass on liquid receiver
- HP/LP pressure switch with manual reset function.

Voltage codes

Previous code letter	New code letter	Description
F	FZ	220-240V-50Hz
K	KZ	220V 3-50Hz 220V 3-60Hz
T	TZ	400V 3-50Hz 440V 3-60Hz
A	XA	100V 1-50Hz 115V 1-60Hz
G	GZ	208-220V 1-60Hz

R-134a

COMMERCIAL POSITIVE REFRIGERATION



TRADITIONAL UNITS

Models	Technology	Rated voltage code I _{max} (A)	Capacity in W EN 13215 Ambient temperature 32 °C Superheating 10K Subcooling 3K Evaporation temperature:					EN 13215 to -5 °C evaporation and 32 °C ambient Suction gas 20 °C		Pressure at 10 m	Pressure at 1 m	Acoustic power	Air flow	Diameter of connection		Other available voltages	Receiver volume	Net / Gross weight	Bases
			-5 °C	0 °C	5 °C	10 °C	15 °C	Cooling capacity (W)	Power input (W)					Acoustics dB(A)*	m ³ /h				
THB4410YH		FZ / 1,1	160	190	230	280	340	235	108	21	41	52	340	1/4	1/4	-	x	12 / 13	I
THB4413YH		FZ / 3,4	200	240	290	340	400	290	154	21	41	52	340	1/4	1/4	-	x	14 / 14	I
THBT4413YHR		FZ / 1,8	210	250	300	360	420	303	149	21	41	52	340	1/4	1/4	-	0,75	14 / 15	I
THB4415YH		FZ / 1,5	240	300	360	430	510	364	185	21	41	52	340	1/4	1/4	XA	x	13 / 14	I
THBT4415YHR		FZ / 1,5	250	310	380	450	530	380	164	26	46	57	410	1/4	1/4	-	0,75	14 / 14	I
THB4419YH		FZ / 1,8	270	330	400	480	570	404	230	26	46	57	340	3/8	1/4	XA	x	13 / 13	I
THBT4419YHR		FZ / 1,8	315	390	480	570	670	480	260	27	47	58	410	3/8	1/4	-	0,75	14 / 15	I
THB4422YH		FZ / 2	330	400	470	560	650	481	265	26	46	57	340	3/8	1/4	XA/CZ/ GZ	x	14 / 14	I
AE4425YHR		FZ / 2,6	380	470	570	670	790	576	331	27	47	58	340	3/8	1/4	XA/CZ/ GZ	0,75	18 / 19	I
AET4425YHR		FZ / 2,6	390	490	590	710	850	603	308	27	47	58	410	3/8	1/4	-	0,75	19 / 19	I
AE4430YHR-FZ		FZ / 2,8	480	590	710	850	1010	727	340	27	47	58	410	3/8	1/4	-	0,75	19 / 20	I
AET4430YHR		FZ / 4,0	500	620	760	910	1070	770	410	33	53	64	800	3/8	1/4	-	0,75	24 / 26	IV
AE4440YHR-FZ		FZ / 3,4	590	710	840	990	1160	861	461	28	48	59	410	3/8	1/4	-	0,75	17 / 20	I
AET4440YHR		FZ / 4,6	650	810	980	1190	1430	1002	512	38	58	69	980	3/8	1/4	-	0,75	24 / 26	IV
HGA4445YHR		FZ / 3,4	680	830	1010	1210	1450	1026	370	34	54	65	1000	3/8	1/4	-	0,75	20 / 28	II
AE4450YHR		FZ / 5,2	710	860	1020	1200	1420	1040	629	33	53	64	800	3/8	1/4	XA/CZ/ GZ	0,75	25 / 27	IV
CAJN4452YHR		FZ / 5,6	720	880	1050	1240	1440	1076	574	27	47	58	550	1/2	1/4	XA/GZ	1,5	30 / 32	IV
AE4456YHR		FZ / 5,6	810	990	1190	1410	1650	1210	728	38	58	69	980	3/8	1/4	XA/CZ/ GZ	0,75	25 / 27	IV
HGA4450YHR		FZ / 4,3	800	970	1180	1410	1680	1200	451	34	54	65	1000	3/8	1/4	-	0,75	20 / 28	II
AE4460YHR		FZ / 6,0	820	1010	1230	1500	1750	1250	725	27	47	58	550	1/2	1/4	-	0,75	27 / 30	IV
AET4450YHR		FZ / 5,2	810	1010	1220	1450	1710	1240	587	38	58	69	1130	3/8	1/4	-	0,75	27 / 29	V
CAJN4461YHR		FZ / 6,0	840	1020	1210	1430	1700	1235	725	27	47	58	550	1/2	1/4	TZ	1,5	30 / 32	IV
HGA4460YHR		FZ / 4,3	880	1080	1310	1580	1890	1333	498	36	56	67	1000	1/2	1/4	-	0,75	22 / 30	II
AET4456YHR		FZ / 5,6	890	1090	1320	1580	1860	1345	702	38	58	69	1130	3/8	1/4	-	0,75	27 / 29	V
AET4460YHR		FZ / 6	955	1170	1410	1690	1990	1440	750	37	57	70	1130	1/2	1/4	-	1,5	27 / 29	V
CAJT4461YHR		FZ / 6,5	1010	1260	1530	1840	2190	1563	704	37	57	68	980	1/2	1/4	-	1,5	34 / 36	V

* Presentation of the acoustic values in maximum ventilation speed in free field according to the reference point of standard EN13215. We comply with the acoustic standard EN ISO 3743-1
The refrigeration performances are given for information purposes and may change, without prior notice, with improvements that Tecumseh Europe is always making to its products.

R-134a

COMMERCIAL POSITIVE REFRIGERATION



TRADITIONAL UNITS

Models	Technology	Rated voltage code I _{max} [A]	Capacity in W EN 13215 Ambient temperature 32 °C Superheating 10K Subcooling 3K Evaporation temperature:					EN 13215 to -5 °C evaporation and 32 °C ambient Suction gas 20 °C		Pressure at 10 m	Pressure at 1 m	Acoustic power	Air flow	Diameter of connection		Other available voltages	Receiver volume	Net / Gross weight		Bases
			-5 °C	0 °C	5 °C	10 °C	15 °C	Cooling capacity [W]	Power input [W]					Acoustics dB(A)*				m ³ /h	Suction (inch)	
HGA4476YHR		FZ / 5,8	1130	1370	1650	1970	2330	1686	594	35	55	66	1000	1/2	3/8	-	0,75	25 / 33	III	
CAJN4476YHR		FZ / 7,4	1150	1430	1740	2090	2480	1780	801	32	52	63	900	1/2	3/8	TZ	1,5	30 / 32	V	
CAJT4476YHR		FZ / 7,8	1200	1480	1780	2120	2500	1820	854	37	57	68	980	1/2	3/8	-	1,5	38 / 50	V	
CAJN4492YHR		FZ / 8,6	1400	1720	2080	2460	2890	2121	964	32	52	63	900	1/2	3/8	TZ	2,35	36 / 38	V	
CAJT4492YHR		FZ / 9,1	1470	1830	2230	2690	3200	2274	1079	44	64	75	2200	1/2	3/8	-	2,35	47 / 49	VI	
CAJN4511YHR		FZ / 9,1	1700	2050	2420	2850	3340	2476	1237	33	53	64	900	5/8	3/8	TZ	2,35	34 / 37	V	
CAJT4511YHR		FZ / 9,6	2020	2500	3040	3660	4360	3106	1174	45	65	76	2250	5/8	3/8	-	2,35	48 / 9	VI	
TFH4518YHR		TZ / 4,9	2600	3230	3940	4750	5630	4034	1782	45	65	76	2250	5/8	3/8	FZ/GZ/ KZ	2,35	56 / 59	VI	
TFHT4518YHR		TZ / 5,1	2880	3620	4500	5530	6720	4589	1619	45	65	76	4800	5/8	3/8	-	6	96 / 116	VIII	
TFH4525YHR		TZ / 7,1	3290	4030	4860	5780	6820	4975	2197	46	66	77	2250	5/8	3/8	FZ/GZ/ KZ	3,9	60 / 63	VI	
TFHT4525YHR		TZ / 6,5	3730	4700	5820	7100	8550	5941	2025	47	67	78	4800	5/8	3/8	-	6	98 / 118	VIII	
TAG4528YHR		TZ / 9,9	3820	4820	5940	7190	8600	6074	2667	51	71	82	3540	7/8	3/8	-	6	66 / 86	VI	
TAGT4528YHR		TZ / 11,1	3840	4930	6180	7610	9240	6313	2558	50	70	81	7000	7/8	3/8	-	6	119 / 154	IX	
TAGS4534YHR		TZ / 11	4530	5680	6970	8420	10050	7131	3179	48	68	79	3070	7/8	3/8	-	6	67 / 87	VI	
TAG4534YHR		TZ / 11,2	4550	5700	6990	8440	10070	7143	2841	47	67	78	4800	7/8	3/8	KZ	6	111 / 114	VI	
TAGT4534YHR		TZ / 11,5	4820	6120	7590	9270	11160	7751	2789	49	69	80	7000	7/8	3/8	-	6	116 / 151	IX	
TAGT4537YHR		TZ / 11,1	5100	6520	8160	10010	12120	8327	3034	49	69	80	6600	7/8	3/8	-	6	116 / 151	IX	
TAGS4537YHR		TZ / 10,8	5130	6360	7740	9270	10990	7922	3489	48	68	79	3070	7/8	3/8	KZ	6	67 / 87	VI	
TAG4537YHR		TZ / 10,8	5140	6380	7760	9290	11010	7934	3140	48	68	79	4800	7/8	3/8	KZ	6	109 / 129	VIII	
TAG4543YHR		TZ / 10,8	5570	6970	8540	10310	12300	8734	3569	48	68	79	4800	7/8	3/8	KZ	6	120 / 140	VIII	
TAGS4543YHR		TZ / 12,7	5600	7000	8570	10340	12330	8756	3716	52	72	83	5590	7/8	3/8	-	6	116 / 146	-	
TAGT4543YHR		TZ / 11,1	5890	7460	9250	11290	13610	9445	3495	50	70	81	6600	7/8	3/8	-	9,5	122 / 142	IX	
TAGD4556YHR		TZ / 20	7730	9750	12050	14670	17650	12309	4717	51	71	82	8200	1"1/8	5/8	-	9,5	205 / 240	X	
TAGDT4556YHR		TZ / 21,2	7900	10100	12630	15510	18770	12898	5102	53	73	84	11500	1"1/8	5/8	-	11,5	210 / 245	X	
TAGD4568YHR		TZ / 22	8400	10500	12860	15520	18500	13150	5639	51	71	82	8200	1"1/8	5/8	-	9,5	205 / 240	X	
TAGD4574YHR		TZ / 21	9550	11870	14470	17390	20660	14798	6344	51	71	82	8200	1"1/8	5/8	-	9,5	205 / 240	X	
TAGDT4568YHR		TZ / 23	9560	12020	14870	18120	21840	15189	5516	52	72	83	11500	1"1/8	5/8	-	11,5	210 / 245	X	
TAGD4586YHR		TZ / 21	9710	12320	15250	18540	22240	15578	6782	50	70	81	11500	1"1/8	3/4	-	11,5	210 / 245	X	
TAGDT4574YHR		TZ / 21,2	9970	12440	15280	18520	22200	15614	6514	49	69	80	11500	1"1/8	5/8	-	11,5	210 / 245	X	
TAGDT4586YHR		TZ / 21,2	11620	14380	17480	20940	24810	17857	7030	49	69	80	11000	1"1/8	3/4	-	11,5	215 / 245	X	

* Presentation of the acoustic values in maximum ventilation speed in free field according to the reference point of standard EN13215. We comply with the acoustic standard EN ISO 3743-1
The refrigeration performances are given for information purposes and may change, without prior notice, with improvements that Tecumseh Europe is always making to its products.

R-134a

COMMERCIAL POSITIVE REFRIGERATION



WINTSYS®



Models	Technology	Rated voltage code I _{max} (A)	Capacity in W EN 13215 Ambient temperature 32 °C Superheating 10K Subcooling 3K Evaporation temperature:					EN 13215 to -5 °C evaporation and 32 °C ambient Suction gas 20 °C		Pressure at 10 m	Pressure at 1 m	Acoustic power	Air flow	Diameter of connection		Other available voltages	Receiver volume	Net / Gross weight	Panels
			-5 °C	0 °C	5 °C	10 °C	15 °C	Cooling capacity (W)	Power input (W)					Acoustics dB(A)*	m³/h				
WIN4440Y		FZ / 3,4	700	880	1080	1320	1590	1100	488	29	49	60	900	3/8	1/4	-	0,75	47 / 51	1
WIN4448Y		FZ / 5,2	820	1020	1250	1520	1820	1276	559	30	50	61	900	3/8	1/4	-	0,75	48 / 50	1
WIN4456Y		FZ / 6	930	1150	1410	1700	2040	1435	601	30	50	61	900	3/8	1/4	-	0,75	47 / 58	1
WIN4461Y		FZ / 6	1010	1250	1540	1860	2220	1568	659	30	50	61	900	1/2	1/4	TZ	1,5	55 / 58	1
WIN4476Y		FZ / 7,4	1130	1400	1710	2050	2440	1746	801	30	50	61	900	1/2	3/8	-	1,5	55 / 60	1
WIN4492Y		FZ / 8,6	1370	1690	2040	2420	2830	2081	964	31	51	62	900	1/2	3/8	TZ	1,5	57 / 60	1
WIN4511Y		FZ / 9,1	1670	2010	2370	2750	3150	2424	1188	39	59	70	900	5/8	3/8	TZ	1,5	36 / 39	1
WIN4518Y		TZ / 4,9	2600	3230	3940	4750	5630	4080	1785	40	60	71	1700	5/8	3/8	FZ	2,35	62 / 65	2
WIN4525Y		TZ / 7,1	3290	4030	4860	5780	6820	4975	2200	42	62	73	1700	5/8	3/8	FZ	2,35	65 / 68	2

* Presentation of the acoustic values in maximum ventilation speed in free field according to the reference point of standard EN13215. We comply with the acoustic standard EN ISO 3743-1
The refrigeration performances are given for information purposes and may change, without prior notice, with improvements that Tecumseh Europe is always making to its products.

Options/Kits

Wintsys®

- Automatic HP and LP pressure switch kit
- Fan speed control kit
- Pump Down kit (non-fitted solenoid valve + LP pressure switch)
- Fuse plug



R-134a

COMMERCIAL POSITIVE REFRIGERATION



SILENSYS®



Models	Technology	Rated voltage code Imax [A]	Capacity in W EN 13215 Ambient temperature 32 °C Superheating 10K Subcooling 3K Evaporation temperature:					EN 13215 to -5 °C evaporation and 32 °C ambient Suction gas 20 °C		Pressure at 10 m	Pressure at 1 m	Acoustic power	Air flow	Diameter of connection		Other available voltages	Receiver volume	Net / Gross weight	Panels
			-5 °C	0 °C	5 °C	10 °C	15 °C	Cooling capacity (W)	Power input (W)					Acoustics dB(A)*	m³/h				
SILRG4445Y		FZ / 4,1	690	850	1040	1260	1500	1060	330	31	51	62	1650	3/8	1/4	-	1,5	58 / 78	S
SILAE4440Y		FZ / 4,5	740	930	1170	1440	1760	1186	504	27	47	58	1650	3/8	1/4	-	0,75	66 / 86	S
SILRG4450Y		FZ / 4,4	800	980	1200	1460	1740	1230	400	30	50	61	1650	3/8	1/4	-	1,5	58 / 78	S
SILRG4460Y		FZ / 4,8	880	1090	1320	1620	1950	1350	450	29	49	60	1650	3/8	1/4	-	1,5	59 / 79	S
SILAJ4461Y		FZ / 6,4	1060	1330	1660	2040	2490	1688	667	28	48	59	1650	1/2	1/4	TZ	1,5	66 / 86	S
SILRG4476Y		FZ / 5,9	1130	1380	1670	2120	2400	1700	500	29	49	60	1650	1/2	3/8	-	1,5	59 / 80	S
SILAJ4476Y		FZ / 7,7	1240	1560	1930	2350	2840	1966	794	29	49	60	1650	1/2	3/8	-	1,5	68 / 88	S
SILAJ4492Y		FZ / 8,9	1560	1940	2380	2880	3450	2430	766	29	49	60	1650	1/2	3/8	TZ	1,5	68 / 88	S
SILAJ4511Y		FZ / 9,4	1950	2390	2890	3440	4050	2945	1123	30	50	61	1650	5/8	3/8	TZ / KZ	1,5	69 / 89	S
SILFH4518Y		TZ / 5,3	2820	3570	4340	5130	5920	4431	1811	34	54	65	2700	5/8	3/8	FZ / KZ	2,35	81 / 103	M
SILFH4525Y		TZ / 6,7	3540	4370	5250	6170	7110	5371	1680	39	59	70	2700	5/8	3/8	FZ / KZ	2,35	81 / 103	M
SILAG4528Y		TZ / 11,6	4420	5690	7180	8880	10850	7326	2536	39	59	70	5400	7/8	3/8	KZ	6	128 / 143	L
SILAG4534Y		TZ / 12,6	4900	6270	7850	9670	11770	8017	2872	39	59	70	5400	7/8	3/8	KZ	6	128 / 143	L
SILAG4537Y		TZ / 12,2	5660	7140	8860	10830	13090	9047	3379	39	59	70	5400	7/8	3/8	KZ	6	128 / 143	L
SILAG4543Y		TZ / 12,2	6310	7870	9640	11650	13940	9855	3736	39	59	70	5400	7/8	3/8	KZ	6	128 / 143	L
SILAGD4556Y		TZ / 21,2	8000	10240	12930	15990	19530	13100	5070	46	66	77	6600	1"1/8	5/8	-	9,5	258 / 285	XL
SILAGD4568Y		TZ / 23,2	8820	11290	14130	17410	21190	14410	5730	46	66	77	6600	1"1/8	5/8	-	9,5	257 / 284	XL
SILAGD4574Y		TZ / 22,4	10190	12860	15950	19500	23560	16270	6640	46	66	77	6600	1"1/8	5/8	-	9,5	258 / 284	XL
SILAGD4586Y		TZ / 22,4	11360	14170	17350	20970	25090	17700	7400	46	66	77	6600	1"1/8	5/8	-	9,5	259 / 284	XL

* Presentation of the acoustic values in maximum ventilation speed in free field according to the reference point of standard EN13215. We comply with the acoustic standard EN ISO 3743-1. The refrigeration performances are given for information purposes and may change, without prior notice, with improvements that Tecumseh Europe is always making to its products.

Options/Kits

Silensys®

- Fuse plug
- Sight glass on liquid receiver
- HP/LP pressure switch with manual reset function



Voltage codes

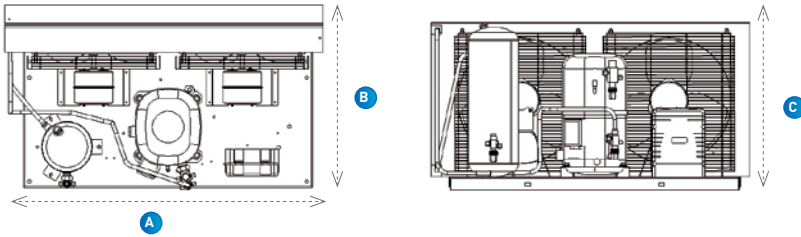
Previous code letter	New code letter	Description
F	FZ	220-240V-50Hz
K	KZ	220V 3-50Hz 220V 3-60Hz
T	TZ	400V 3-50Hz 440V 3-60Hz
A	XA	100V 1-50Hz 115V 1-60Hz
G	GZ	208-220V 1-60Hz

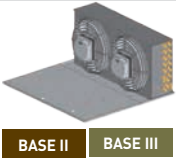







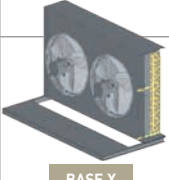
APPENDIX

Dimensions of the models



TRADITIONAL UNITS



	HGA	THB	AE2	AJ	FH	TAG	VS	TAGD
200								
250								
300								
350								
406								
350 X2								
406 X2								
506 X2								

Specific databases TAGS diameter 450, 500, 560 mm

MODELS	A length (mm)	B width (mm)	C height (mm)
BASE I Fan Diam. 200 mm			
AE3440YH	312	352	257
AE4430YHR-FZ	319	400	257
AE4440YHR-FZ	319	400	257
AEZ3425YH	312	352	225
AEZ4425YHR	312	397	225
AEZ4425ZHR	312	397	225
AEZT4425YHR	322	404	257
AEZT4425ZHR	322	404	257
CAE2417ZBR	312	372	227
CAE2420ZBR	322	404	257
THB4410YH	309	350	227
THB4413YH	309	350	227
THB4415YH	309	350	227
THB4419YH	309	350	227
THB4422YH	309	350	227
THBT4413YHR	309	398	227
THBT4415YHR	309	398	227
THBT4419YHR	309	398	227
BASE II Fan Diam. 2x200 mm			
HGA2426ZBR	500	450	219
HGA2432ZBR	500	450	219
HGA2436ZBR	500	450	219
HGA4445YHR	500	450	219
HGA4450YHR	500	450	219
HGA4460YHR	500	450	219
HGA4467ZHR	500	450	219
BASE III Fan Diam. 2x200 mm			
HGA4476YHR	700	450	219
HGA4480ZHR	700	450	219
HGA4492ZHR	700	450	219
HGA4512ZHR	700	450	219
HGA2446ZBR	700	450	219
BASE IV Fan Diam. 250 mm			
AEZ4440ZHR	338	498	298
AEZT4430YHR	338	498	298
AEZT4430ZHR	338	498	298
AEZT4440ZHR	338	498	298
CAE2424ZBR	346	498	298
CAE4448YHR	338	498	298
CAE4450ZHR	338	498	298
CAE4456YHR	338	498	298
CAET2420ZBR	346	498	298
CAET4440YHR	346	498	298
CAJN2428ZBR	345	486	304
CAJN2432ZBR	345	486	304
CAJN2440ZBR	345	486	304
CAJN4452YHR	345	486	304
CAJN4461YHR	345	486	304
BASE V Fan Diam. 300 mm			
CAET2417ZBR	322	404	257
CAET2424ZBR	433	494	338
CAET4448YHR	433	494	338
CAET4450ZHR	433	494	338
CAET4456YHR	433	494	338
CAJN2446ZBR	432	481	340
CAJN2464ZBR	432	481	340
CAJN4476YHR	432	481	340
CAJN4492YHR	432	481	340

MODELS	A length (mm)	B width (mm)	C height (mm)
CAJN4511YHR	432	481	340
CAJN9480ZMHR	432	481	340
CAJN9510ZMHR	432	481	340
CAJN9513ZMHR	432	481	340
CAJT2428ZBR	432	481	340
CAJT2432ZBR	432	481	340
CAJT2446ZBR	432	481	340
CAJT4461YHR	432	481	340
CAJT4476YHR	432	481	340
CAJT9480ZMHR	432	481	340
BASE VI Fan Diam. 350 mm			
CAJN4517ZHR	513	608	436
CAJN4519ZHR	513	608	436
CAJT2464ZBR	512	607	445
CAJT4492YHR	512	607	445
CAJT4511YHR	512	607	445
CAJT4517ZHR	512	607	445
CAJT 9513ZMHR	512	607	445
CAJT9510ZMHR	512	607	395
TFH2480ZBR	512	615	466
TFH2511ZBR	512	615	466
TFH4518YHR	512	615	466
TFH4522ZHR	512	615	466
TFH4524ZHR	512	615	466
TFH4525YHR	510	630	450
TAG4534YHR	600	670	560
TFHT2480ZBR	510	630	445
BASE VII Fan Diam. 406 mm			
TAG4528YHR	575	693	545
TAGS4534YHR	575	693	545
TAGS4537YHR	575	693	545
VSAT9510ZHR	575	656	545
VSAT9514ZHR	575	656	545
TFHS4531ZHR	575	619	545
TFHS4540ZHR	575	619	545
TFHT4524ZHR	575	619	545
CAJT4519ZHR	575	607	545
BASE VIII Fan Diam. 2x350 mm			
TAG2516ZBR	1002	618	469
TAG2522ZBR	1002	642	469
TAG4537YHR	1002	618	469
TAG4543YHR	1002	642	469
TFH4531ZHR	1002	618	469
TFH4540ZHR	1002	642	469
TFHD2516ZBR	1002	642	469
TFHD2522ZBR	1002	642	469
TFHT2511ZBR	1002	618	469
TFHT4518YHR	1002	618	469

MODELS	A length (mm)	B width (mm)	C height (mm)
TFHT4525YHR	1002	618	469
TFHT4531ZHR	1002	642	469
VSAT9517ZHR	992	611	527
BASE IX Fan Diam. 2x406 mm			
TAG4546ZHR	1080	650	565
TAG4553ZHR	1080	650	565
TAG4568ZHR	1080	650	565
TAG4573ZHR	1080	650	565
TAGT2516ZBR	1020	593	465
TAGT2522ZBR	1080	650	565
TAGT4528YHR	1080	650	565
TAGT4534YHR	1080	650	565
TAGT4543YHR	1080	650	565
TAGT4546ZHR	1080	644	565
TAGT4553ZHR	1080	644	565
TAGT4561ZHR	1080	644	565
TAGT4568ZHR	1080	650	565
TAGT4573ZHR	1080	650	565
TFHD4548ZHR	1080	640	565
TFHD4562ZHR	1080	640	565
TFHT4540ZHR	1080	650	565
VSAT9521ZHR	1072	593	524
VSAT9524ZHR	1072	593	524
VSAT9528ZHR	1072	636	580
VSAT9536ZHR	1072	636	606
VSAT9544ZHR	1072	636	606
BASE X Fan Diam. 2x506 mm			
TAGD2532ZBR*	1417	738	670
TAGD2544ZBR*	1417	738	670
TAGD4556YHR*	1417	738	670
TAGD4568YHR*	1417	738	670
TAGD4574YHR*	1417	738	670
TAGD4586YHR	1417	720	868
TAGD4590ZHR	1417	720	868
TAGD4610ZHR	1417	720	868
TAGD4612ZHR	1417	720	868
TAGD4614ZHR	1417	720	868
TAGD4615ZHR	1417	720	868
TAGDT2532ZBR	1417	720	868
TAGDT2544ZBR	1417	720	868
TAGDT4556YHR	1417	720	868
TAGDT4568YHR	1417	720	868
TAGDT4574YHR	1417	720	868
TAGDT4586YHR	1417	720	868
TAGDT4590ZHR	1417	720	868
TAGDT4610ZHR	1417	720	868
TAGDT4612ZHR	1417	720	868
TAGDT4614ZHR	1417	720	868

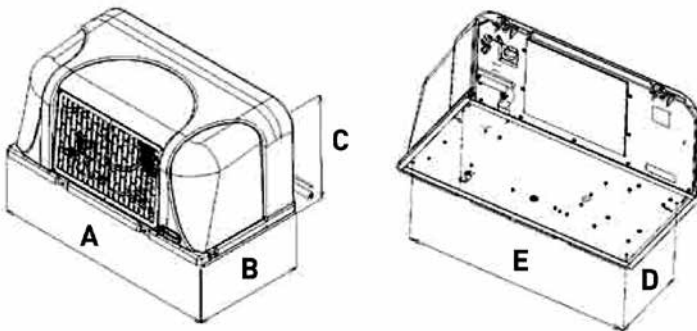
MODELS	Fans Diameter (mm)	A length (mm)	B width (mm)	C height (mm)
Specific BASES				
TAGS4543YHR	1x 450	755	700	560
TAGS4546ZHR	1x 450	755	700	560
TAGS4561ZHR	1x 500	755	700	660
TAGS4568ZHR	1x 560	755	700	715
TAGS4573ZHR	1x 560	755	700	715

The dimensions are given in maximum value
 *: 2 fans diameter 406 mm

APPENDIX

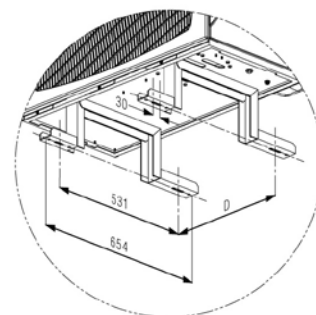
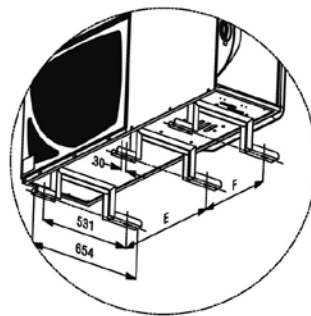
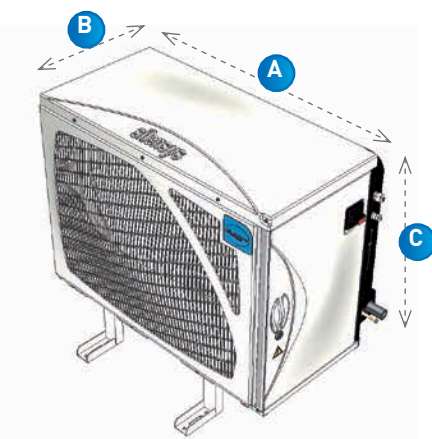
Dimensions of the housed models

WINTSYS



PANELS	A (mm)	B (mm)	C (mm)	D (mm)	E (mm)
1	850	430	385	290	770
2	1020	440	475	290	885
3	1066	530	577	380	885

SILENSYS



PANELS	A (mm)	B (mm)	C (mm)	D (mm)	E (mm)	F (mm)
S	930	575	690	440	-	-
M	1145	575	690	630	-	-
L	1145	575	1315	630	-	-
XL	1615	575	1300	-	651	465

The Tecumseh Europe laboratory

The Tecumseh Europe laboratory is a unique tool for tests and trials on compressors, condensing units, components and client applications.

Located locally, it is accredited for tests and measurements in:

- Refrigeration performances and energy output
- Electrical and mechanical safety
- Acoustics
- Pressure resistance, endurance and reliability
- Dimensional checks
- Thermodynamic characterisation of applications.

Chemistry:

- Analysis of component oils
- Analysis of metals



The conditions around the European reference

Quality and environment

Tecumseh Europe runs two management systems, one for quality and the other for the environment, which were certified respectively in 1993 and 2005.

They show the daily commitment and the capacity of the company to maintain and improve these certifications.



ISO 9001, version 2008: Quality management system.

This certification ASERCOM guarantees Tecumseh's ability to regularly supply products that comply with customer requirements and with the applicable regulations, with a view to continuously improve its results and performances.

Performances as per the ASERCOM reference

Active member of the European association of refrigeration component manufacturers since its founding (20 years), Tecumseh Europe subjects its products to Asercom's data certification procedure.

The performances of the products are guaranteed by several laboratories and are therefore comparable with products from other Asercom-certified manufacturers



EN 13215: conditions of refrigeration power of the condensing units. This standard defines the new standard points of the refrigeration power of condensing units in line with the requirements of refrigeration users. In addition, it gives the tolerances applicable to the characteristics of each product.

ISO 14001, version 2004:

Environmental management system.

This certification applies to the environmental aspects that Tecumseh has identified as being those that it has the resources to manage and those on which it can have an influence.



Accredited ISO 17025 by the COFRAC (Comité Français d'Accréditation [French Accreditation Committee]) for 3 testing programmes:

- Refrigeration performances
- Acoustic performances
- Electrical and mechanical safety

The laboratory ASERCOM guarantees the precision of the measurements provided to the installers, advisors and users.

It is strictly monitored and audited each year.



EN 13215

	Domestic application	BP	HP/MHP
Evaporation temperature	- 25 °C	- 35 °C	- 10 °C
Condensation temperature	+ 32 °C	+ 32 °C	+ 32 °C
Gas return temperature	+ 32 °C	+ 20 °C	+ 20 °C
Sub-cooling	3K	3K	3K

NOTE: one of the main consequences of the modification of these measurement conditions of the compressor cooling performances is a variation of these values with regards to the previous values published in some documents. These standards guarantee new powers that are closer to the «reality» of your various cooling installations

EN 13771-2: performance tests and testing methods. Our laboratory, now COFRAC-certified, uses this European standard for measuring the refrigeration performances of our condensing units.

SALES AND MARKETING HEAD OFFICE

2, avenue Blaise Pascal
Site Prologis Bât. B
38090 Vaulx-Milieu
France
Tel. int +33 (0)4 74 82 24 00
Fax int +33 (0)4 74 82 24 99

GERMAN OFFICE

Ludwigstrasse 31
60327 Frankfurt am Main
Germany
Tel. int +49 (0)69 97 1454-0
Fax int +49 (0)69 72 41053

ITALIAN OFFICE

Via Parco Abbaziale, 6
10094 Giaveno (TO)
Italia
Tel. int +39 (0)11 937 98 61
Fax int +39 (0)11 937 83 88

SPANISH OFFICE

C/Corcega 301-303, 2º, 3a
08008 Barcelona
España
Tel. int +34 93 218 5708
Fax int +34 93 218 1691

BRITISH OFFICE

8 The Square, Stockley Park,
Uxbridge Middlesex UB11 1FW
United Kingdom
Tel. int +44 (0) 203 008 8565
Fax int +33 (0)4 74 82 24 94

MALAYSIAN OFFICE

Nº 18 Jalan Sultan Mohamed 4
Selat Klang Utara
42000 Port Klang
Selangor Darul Eshan
Malaysia
Tel. int +60 3 3176 3886
Fax int +60 3 3176 3890

Tecumseh Europe: the commercial refrigeration specialist

Tecumseh Europe, a major player in the refrigeration and climatic comfort industry, is a subsidiary of the American group Tecumseh Products Company. As a human-sized international company, Tecumseh Europe designs and manufactures compressors and condensing units using new technologies, which positions it as the leader in commercial refrigeration. Today, about 25% of global food consumption is spoiled due to non-compliance with the cold chain. Faced with this reality, Tecumseh aims to offer a range of high added-value products and services.

■ Values in the service of customers and the company

For more than 75 years, Tecumseh's success has been based on key values shared by its managers and all its employees:

- the human value: the people that make up the company
- the actual customer orientation and the place given to its customers
- the importance of the quality of services and products offered
- the permanent technological innovation.

■ The people: most important resource of the company

This value can be seen especially in the professionalism of each employee, all of whom have significant technical and commercial skills as well as a real industrial dimension.

The development of skills by in-house training and promotion aims to involve employees to a greater degree.

■ Innovative products

Since 1934, Tecumseh has been committed to developing products using innovating technologies that guarantee low energy consumption as well as a high level of reliability.

Today, Tecumseh is the only company that offers its customers the 3 technologies used in a hermetic compressor: **Reciprocating, Rotary and Scroll.**

Internationally recognised, the benchmark brands of the Group such as L'Unité Hermétique®, Silensys®, Wintsys®, Masterflux®, Celseon®, and Vector® form part of the pillars of the refrigeration industry thanks to a strong distribution network with thousands of points of sale on all 5 continents.

■ Tecumseh also offers service

Tecumseh offers a complete assistance service from the selection of products, **design, and training, to on-site** technical assistance by a high-performance Sales Administration department.

■ Tecumseh: the desire to propose a green offer

Because it is aware of the future economic and ecological demands, **the company is committed to sustainable development by offering products that use the refrigeration fluids** in phase with the current market. Because it follows a rigorous approach of continuous improvement, Tecumseh works according to the **ISO 14001** certification (environmental management system) as well as standard **ISO 9001** for its quality management system.

With more than 1,350 employees, Tecumseh Europe focuses on innovation, the quality of the products with complete solutions. At present and for the foreseeable future, the company is the best supplier of 100% customer-oriented commercial refrigeration.



"L'Unité Hermétique", a Tecumseh brand internationally recognised by professionals in the cooling industry, stands for reliability, expertise and skill. Tecumseh offers solutions labeled "Expertise L'Unité Hermétique", referencing the performance of the historical benchmark of the refrigeration market on all 5 continents.



Brochure Condensing Units UK
05/2013



actitudes • com - Photos © Tecumseh - © Thinkstock - © Héloïse Peyre, Jean-Philippe Darbois.



Tecumseh

Cooling for a Better Tomorrow™

www.tecumseh.com